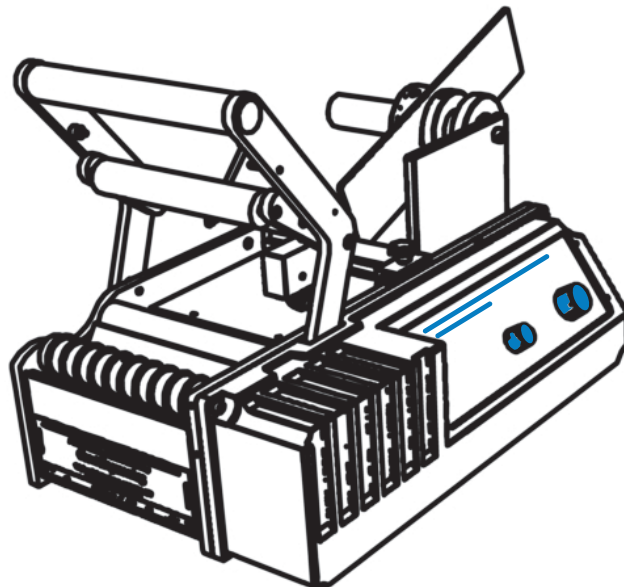
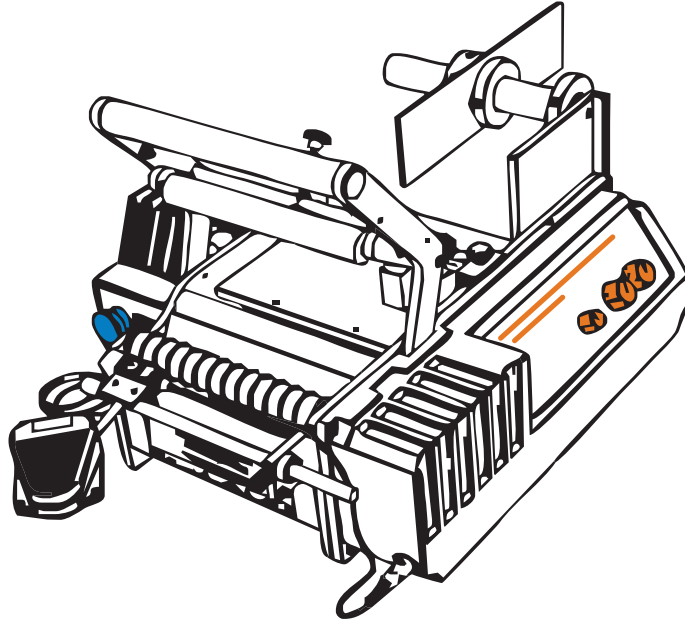


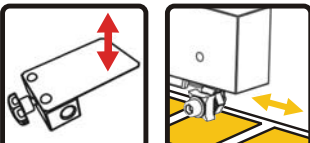
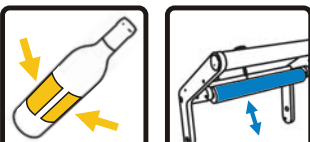

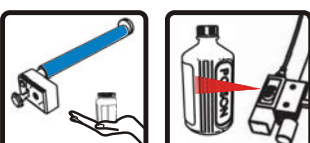

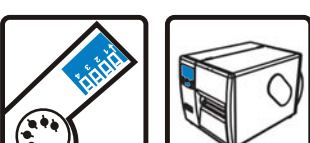





BenchMAX and BenchMARK Manual

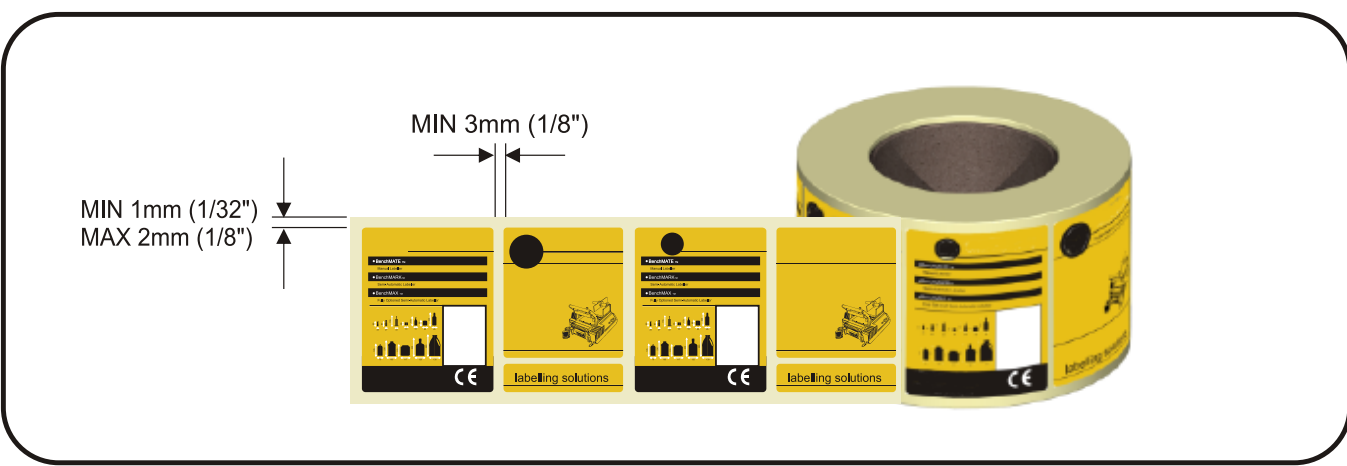
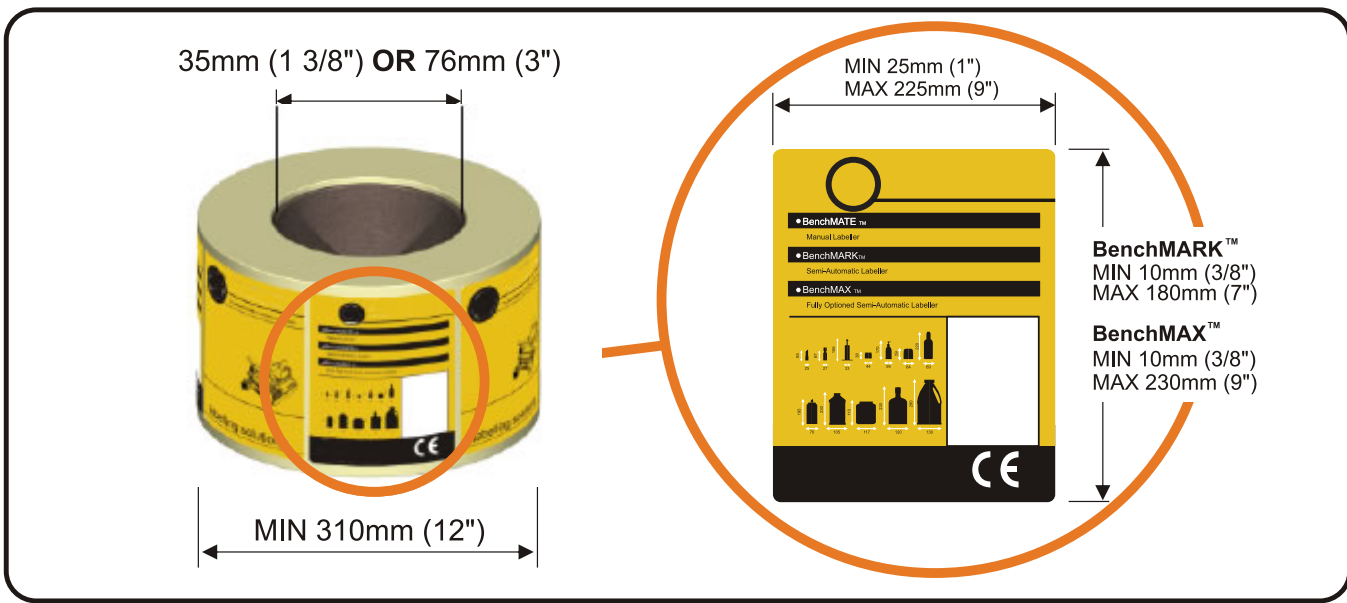
BenchMAX and BenchMARK manual



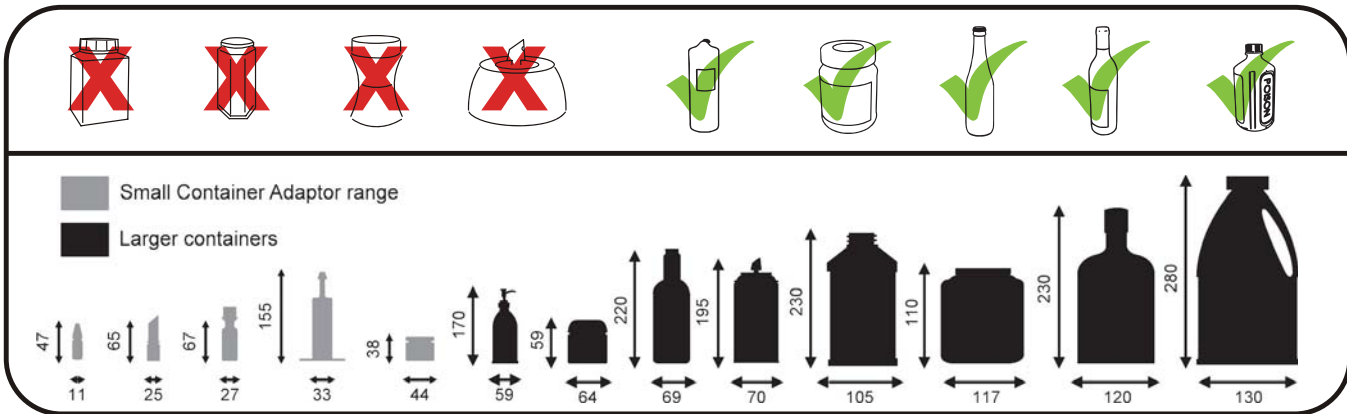
CONTENTS:

	3
	4
	7
	8
	9
	10
	13
	14
	16
	17
	20

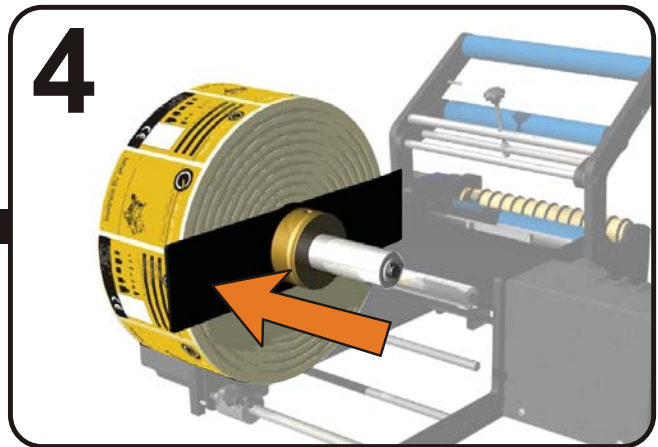
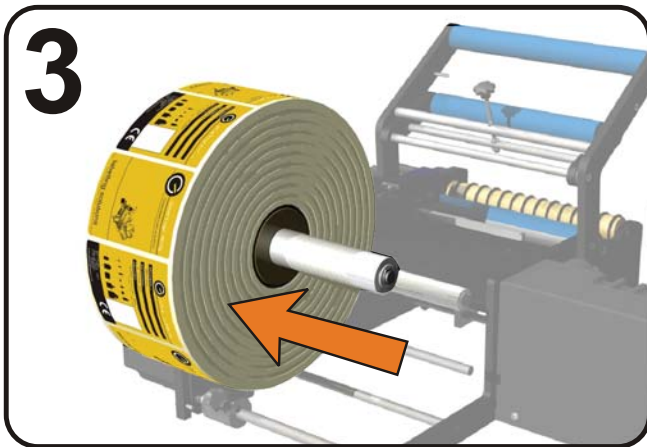
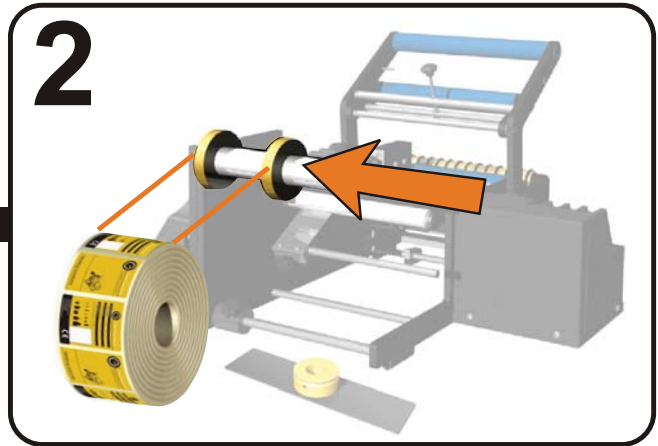
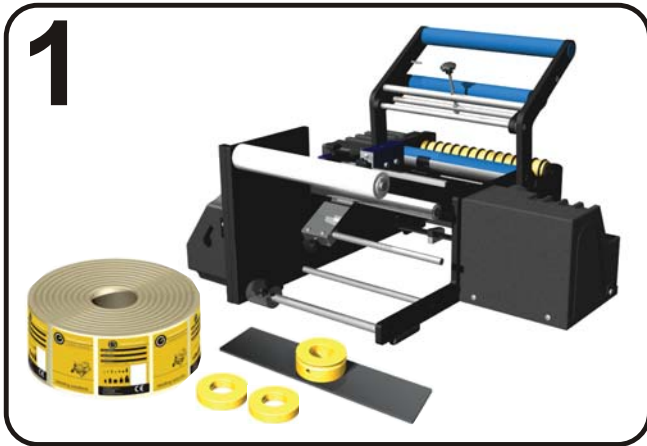
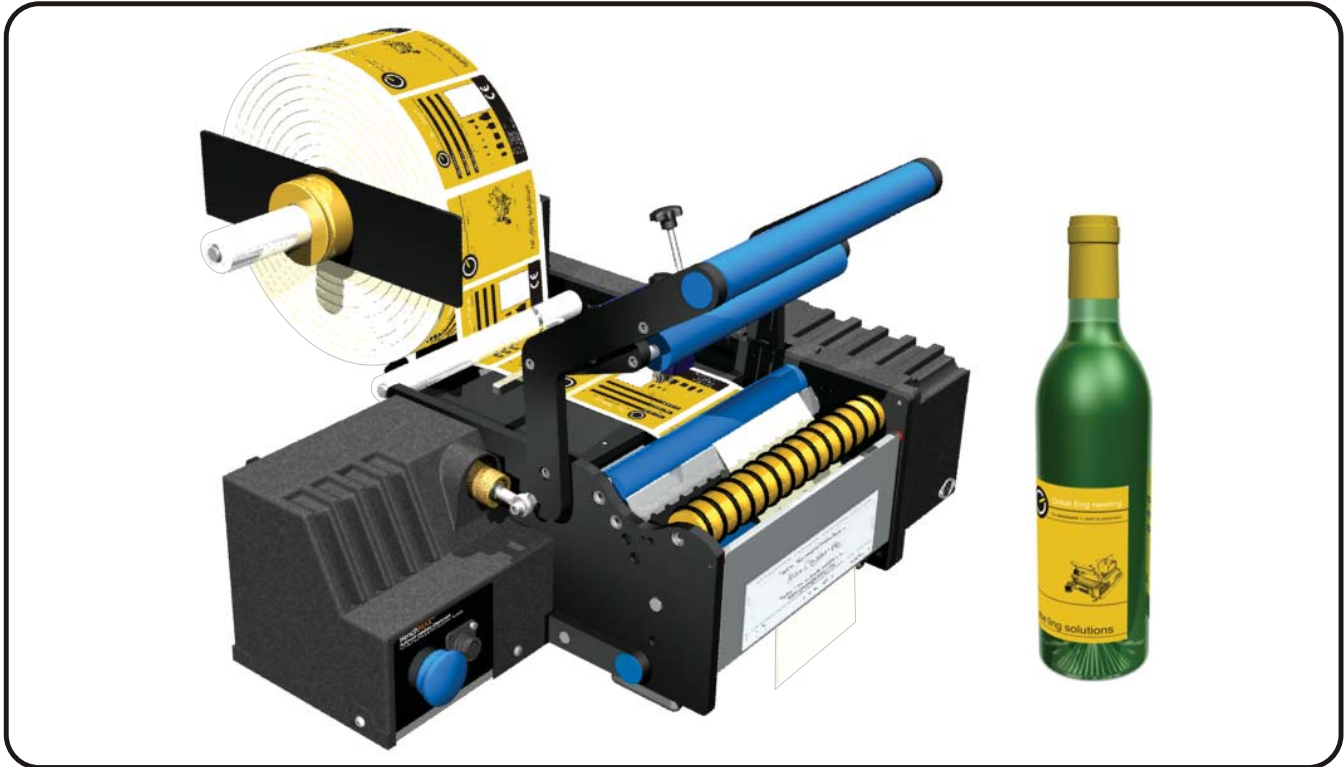
LABEL SPECIFICATIONS

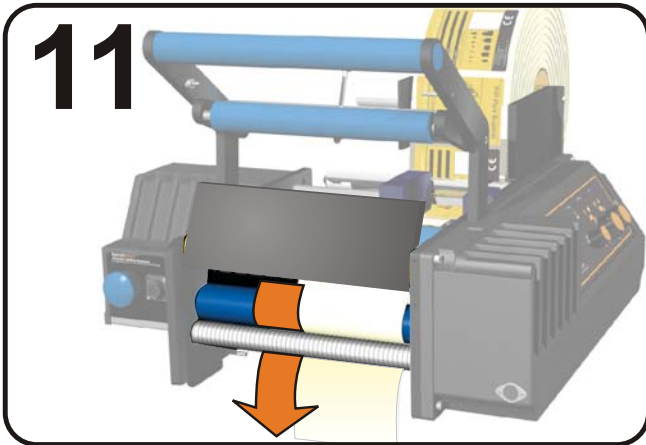
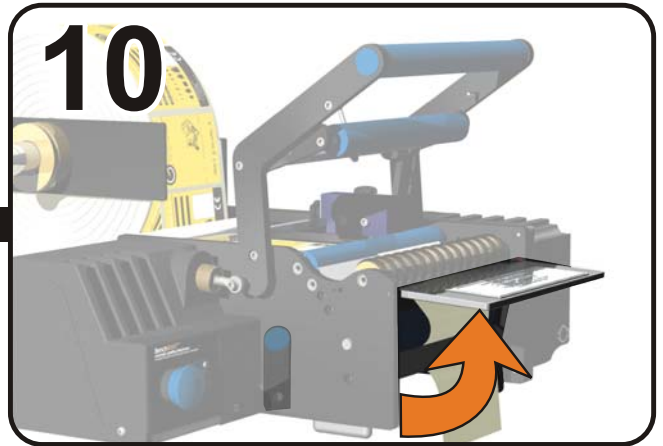
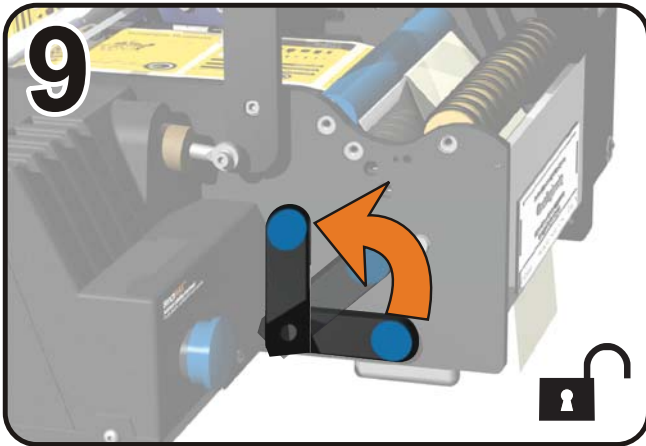
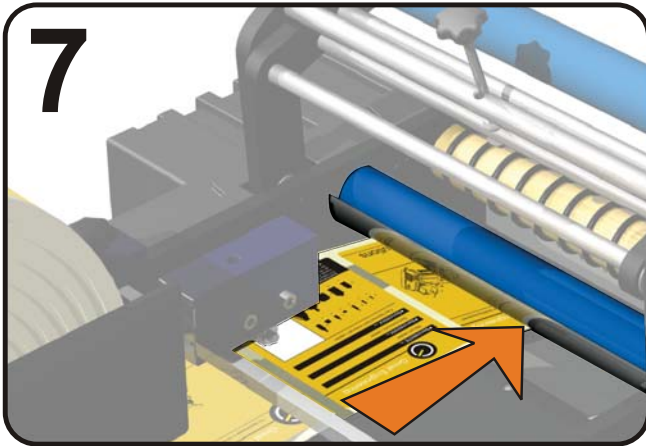
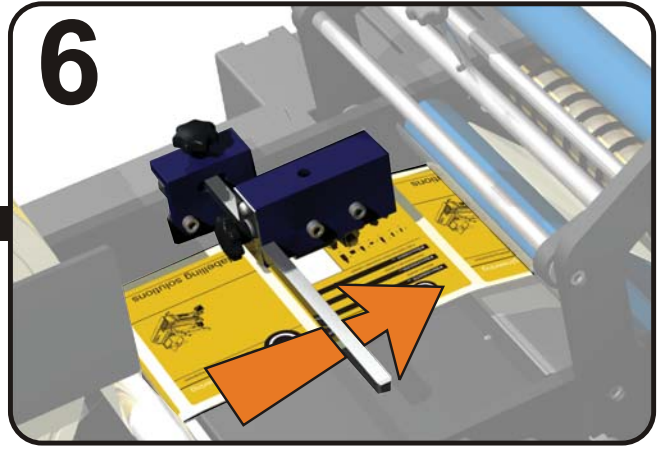
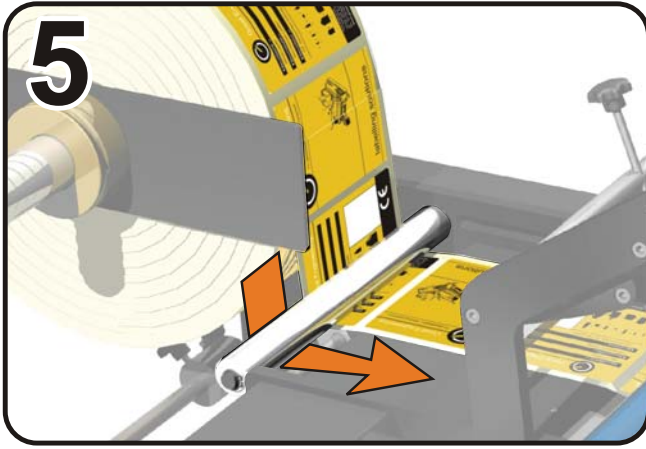


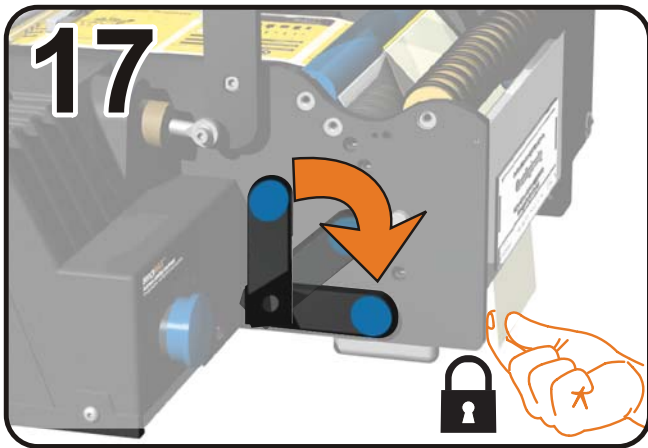
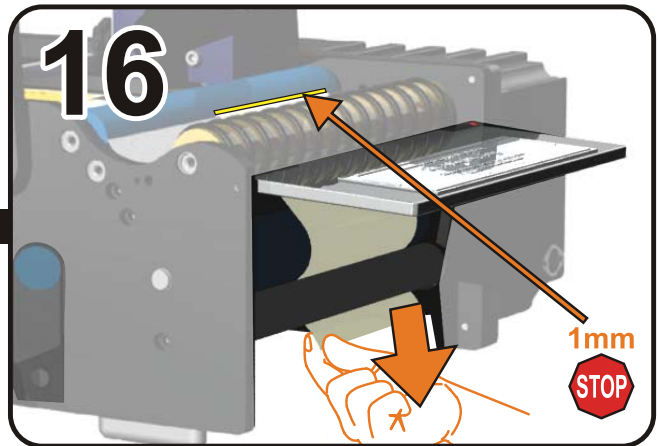
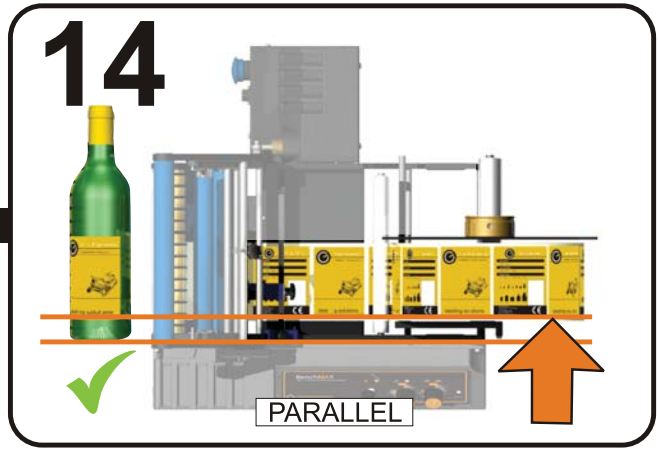
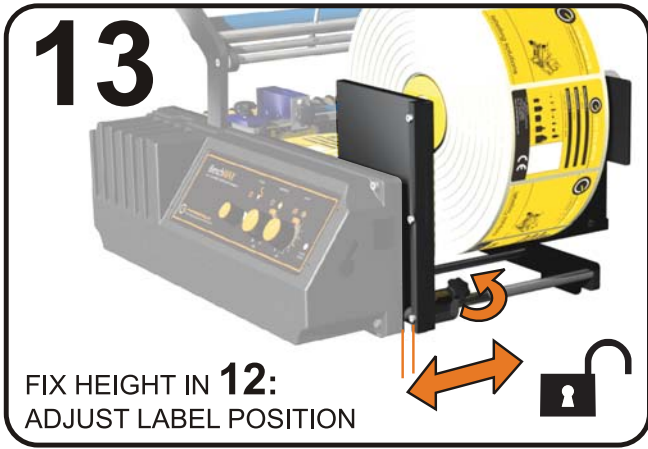
CONTAINERS



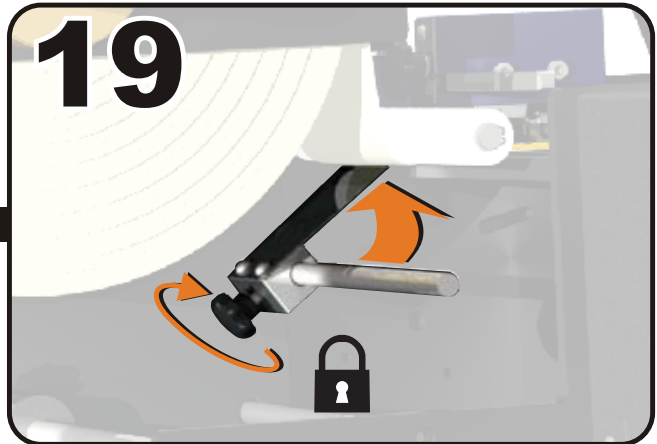
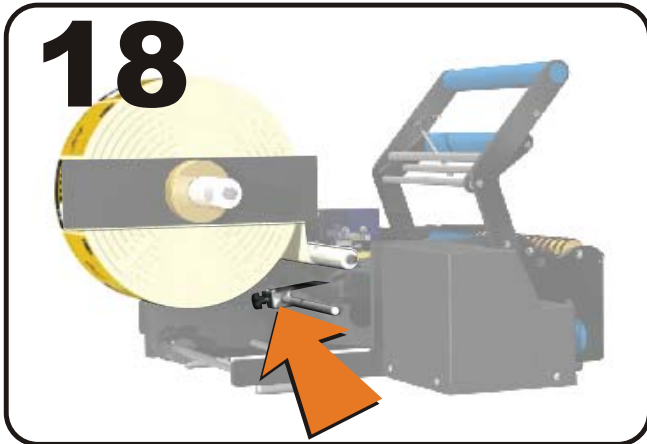
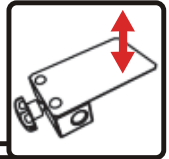
THREADING LABELS



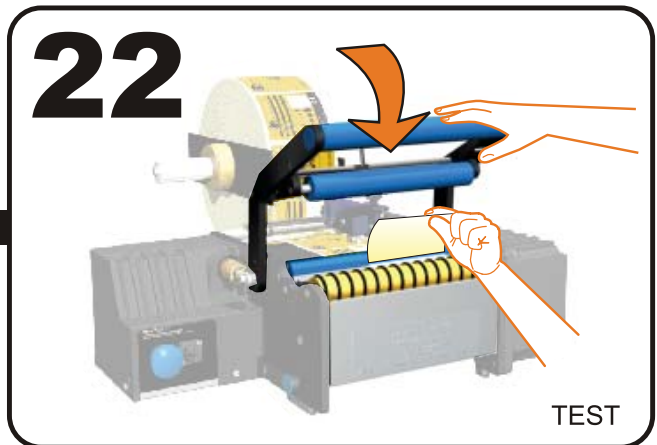
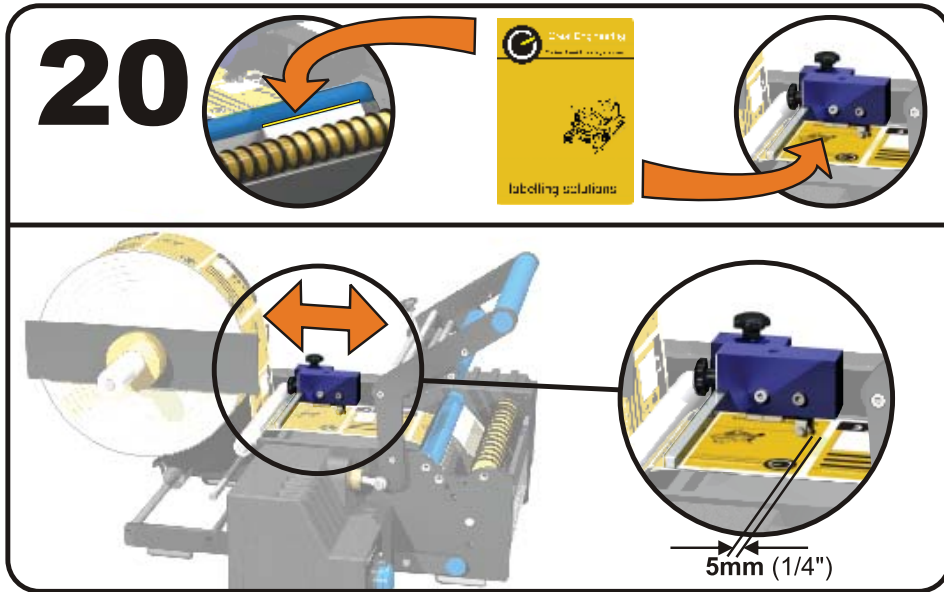




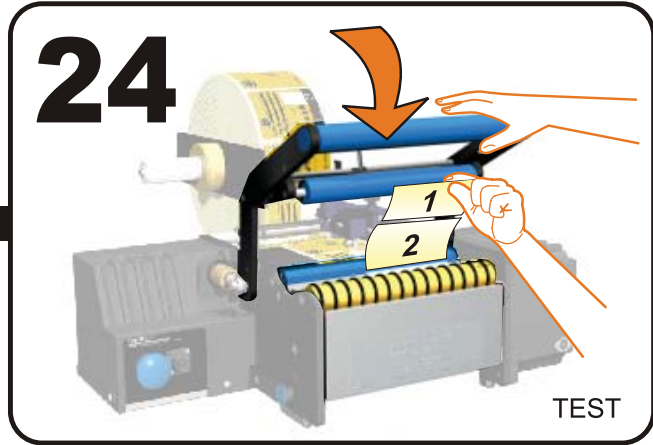
SETTING TENSIONER



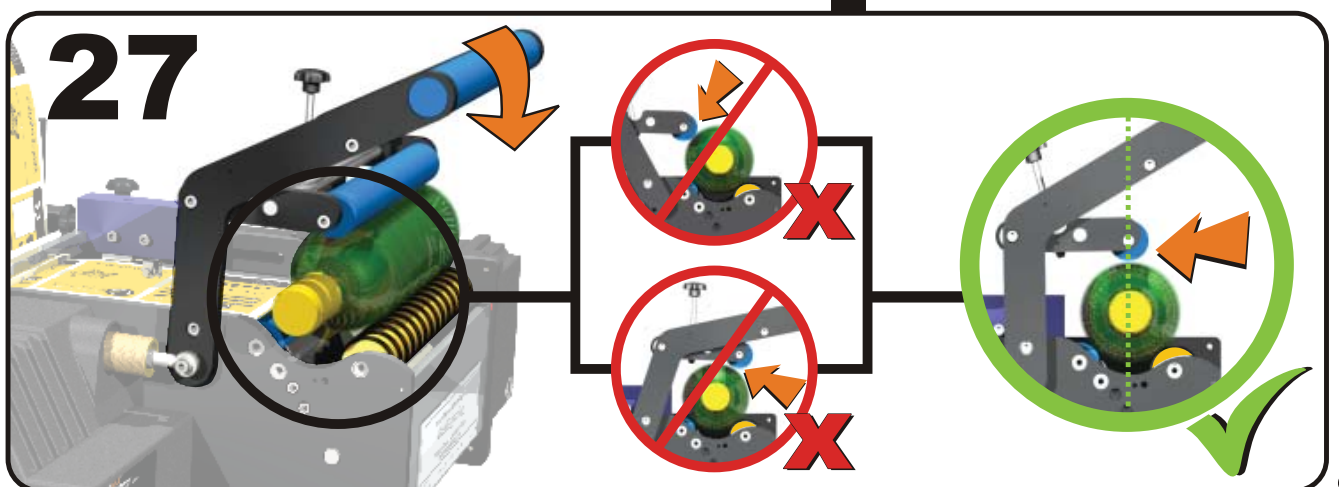
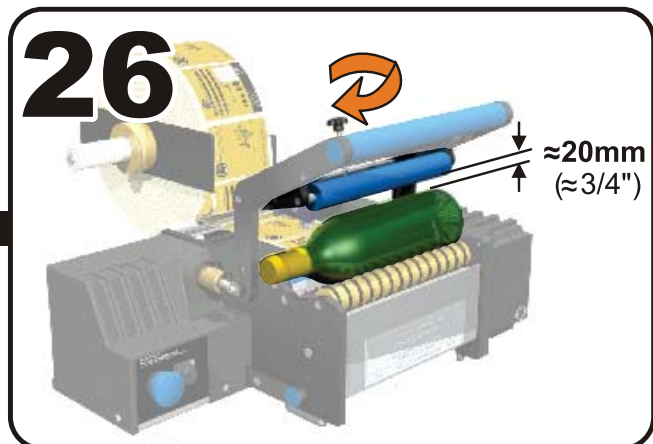
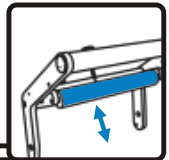
SETTING LABEL SENSOR



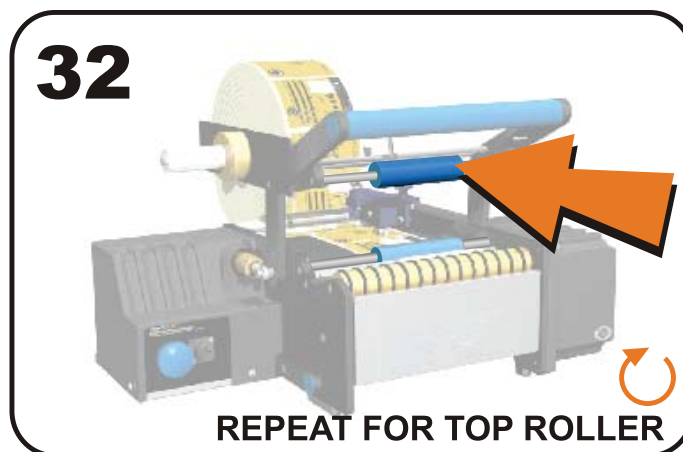
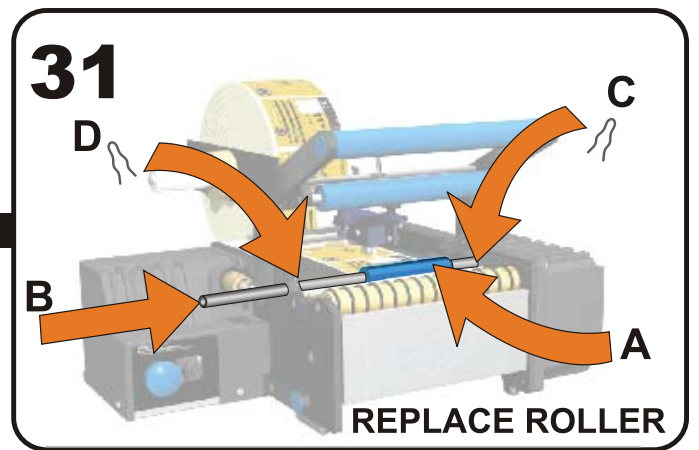
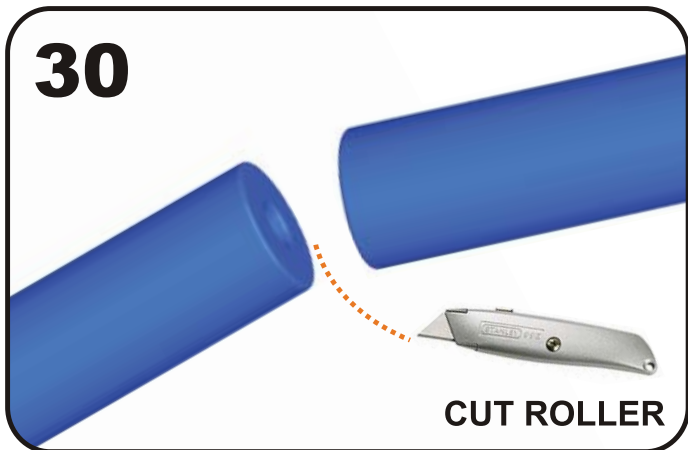
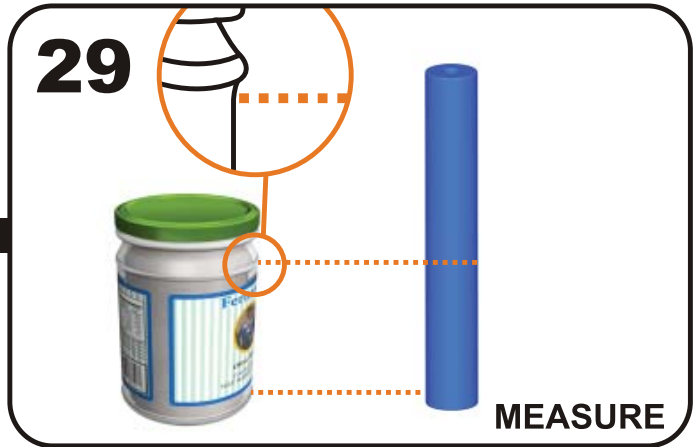
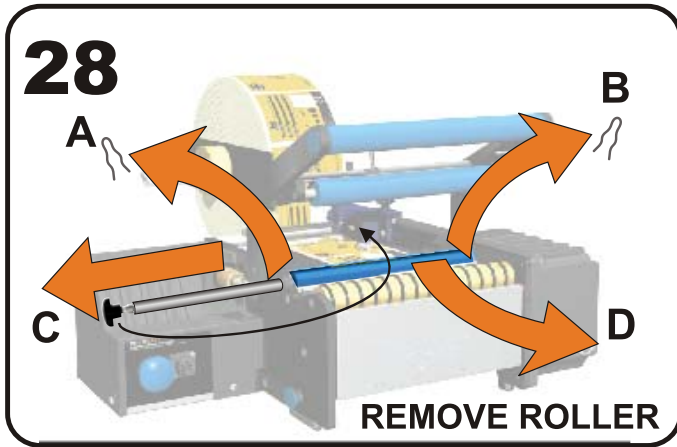
APPLYING 2 LABELS



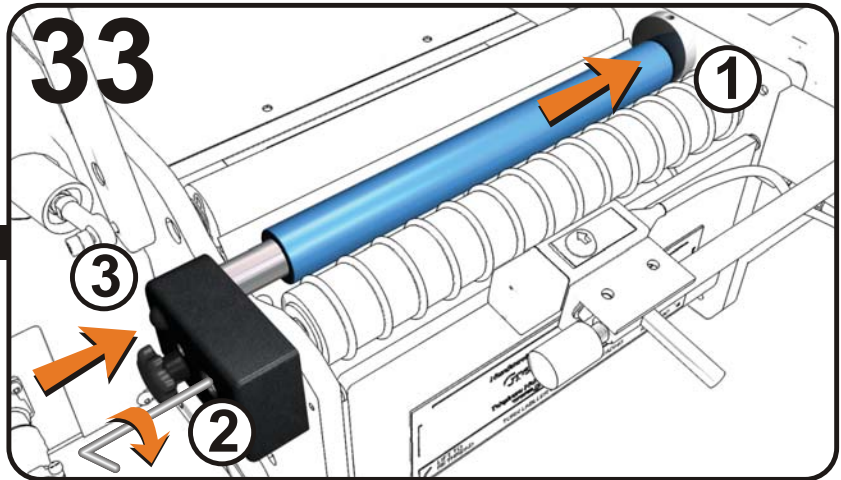
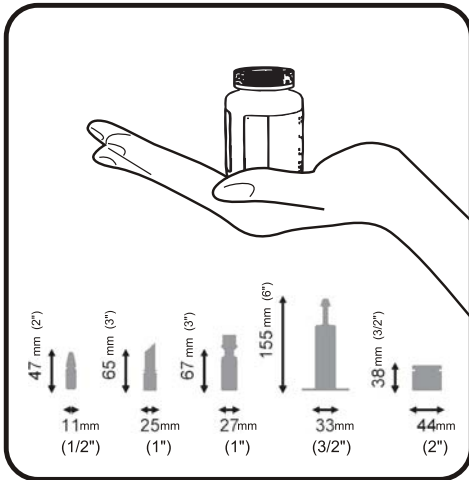
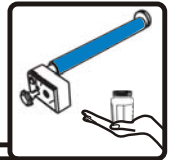
POSITIONING RUB DOWN ROLLER



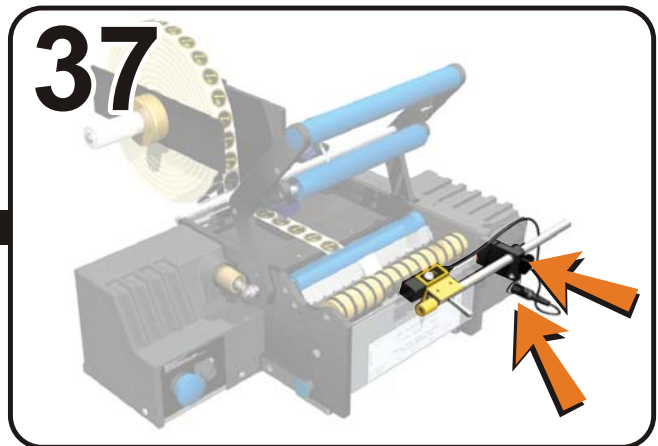
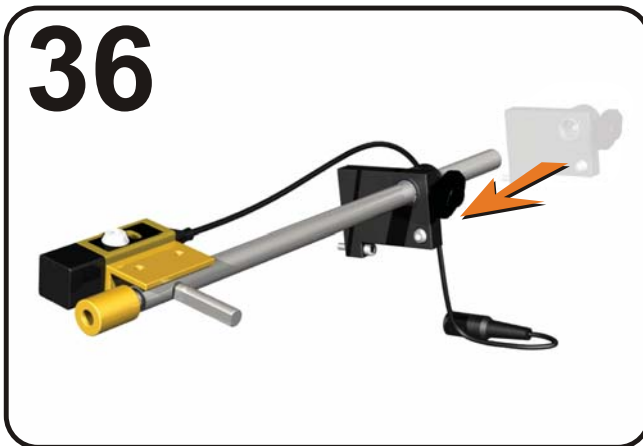
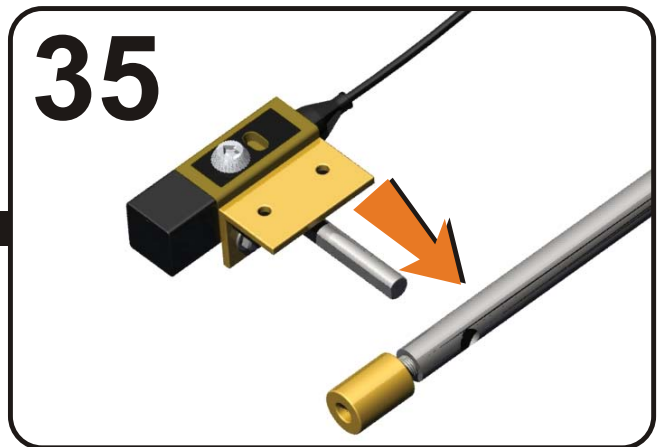
CONTAINERS WITH RECESSES

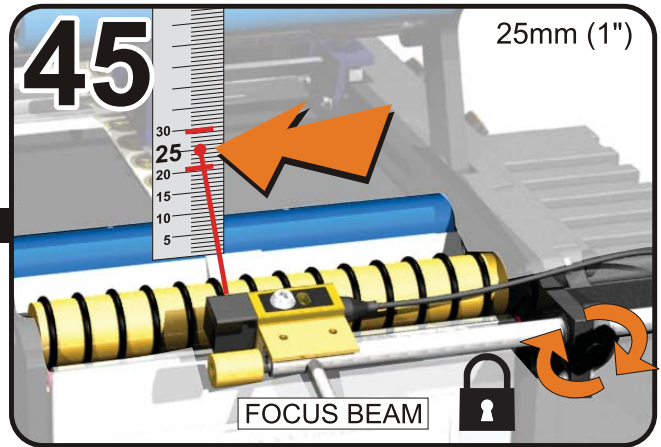
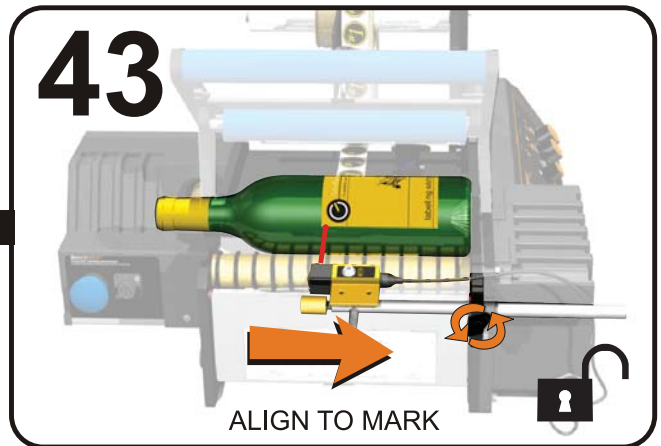
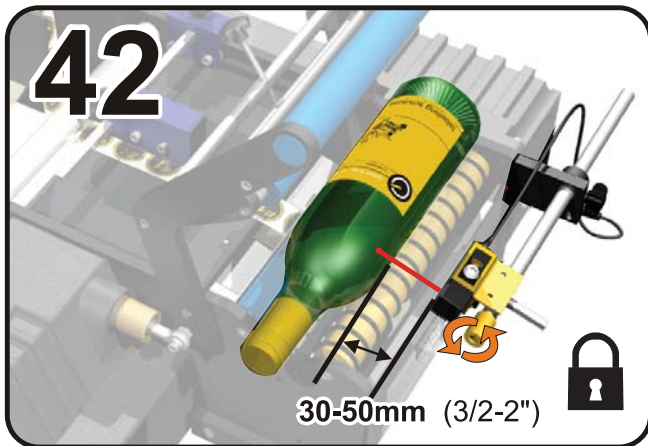
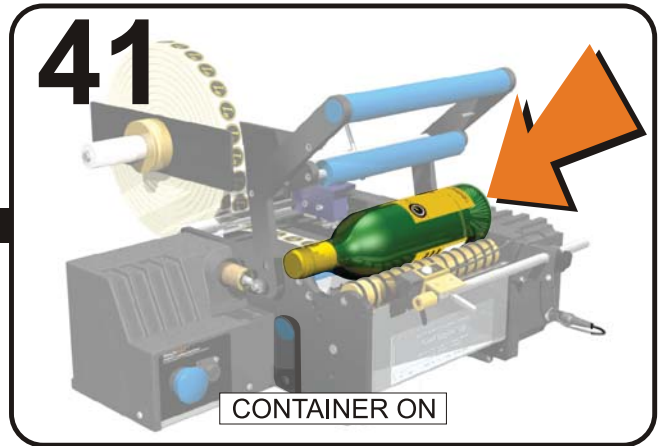
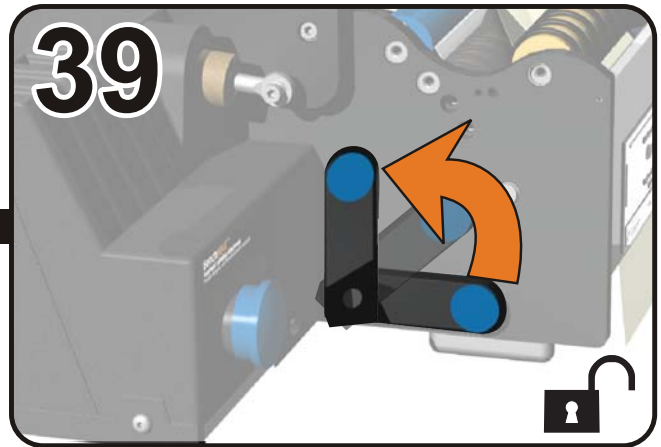
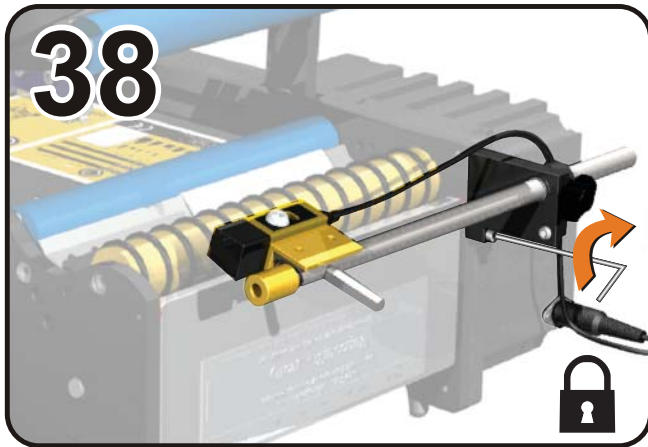


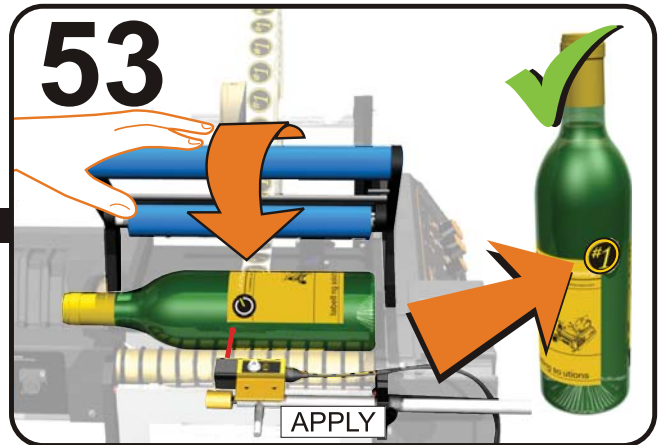
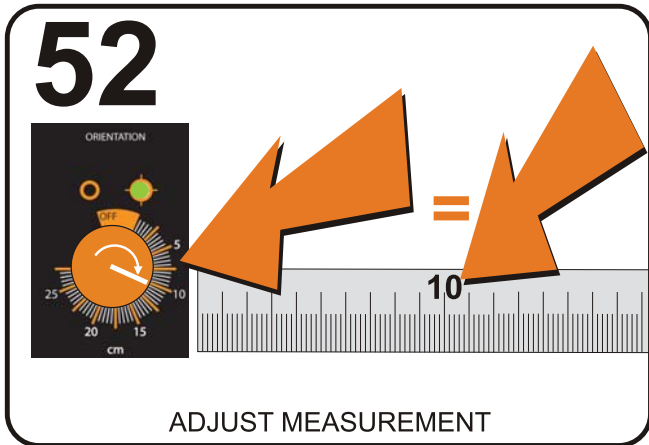
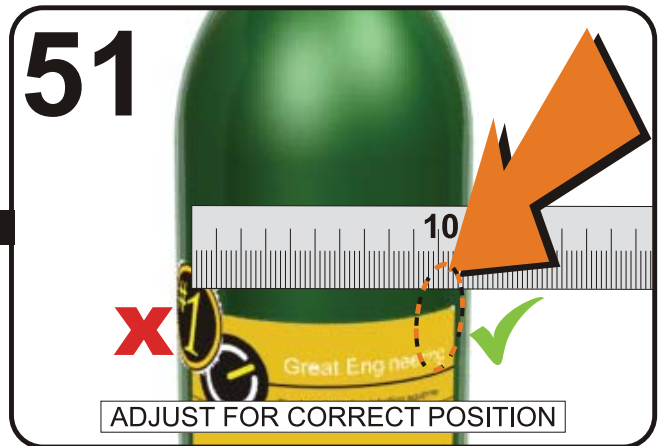
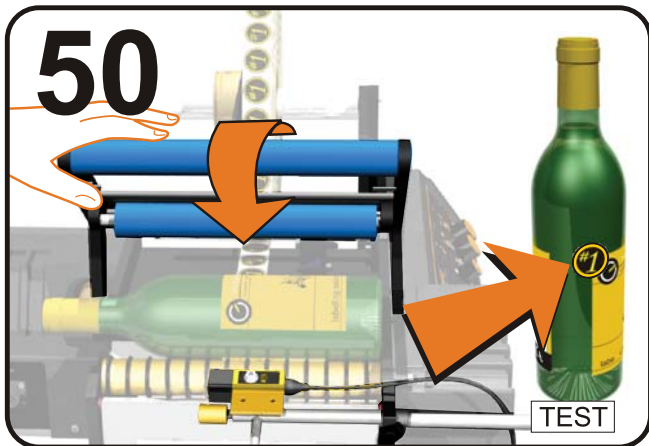
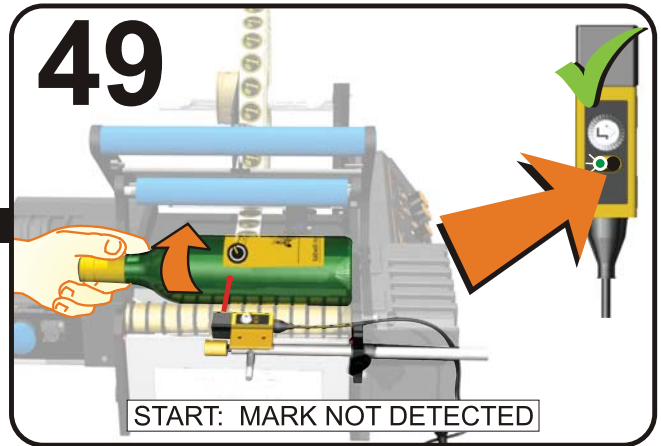
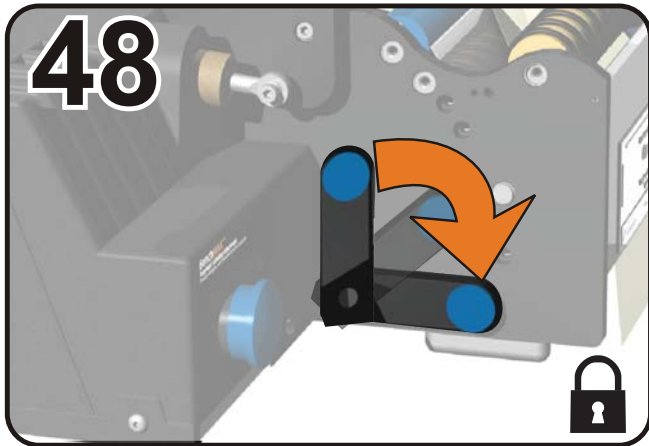
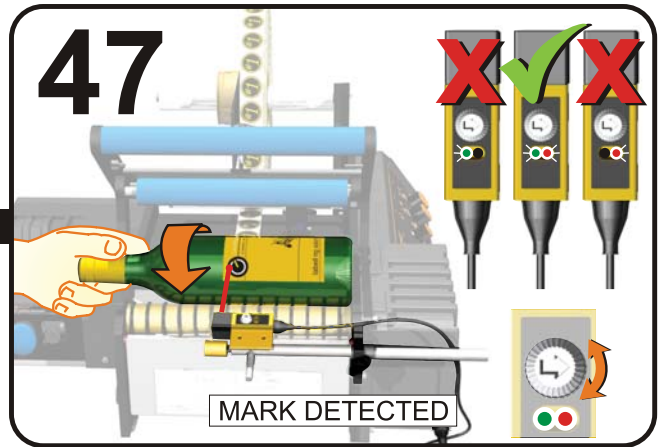
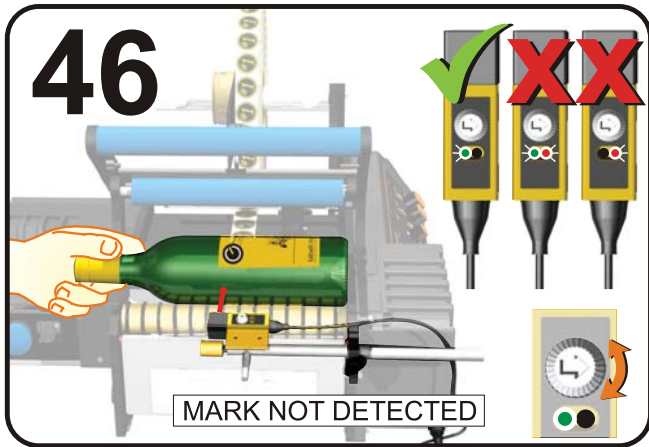
SMALL BOTTLE ADAPTOR



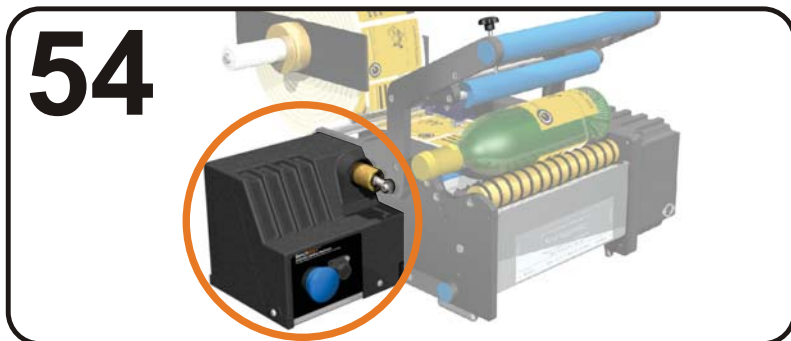
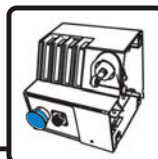
ORIENTATOR







AUTOMATIC ATTACHMENT



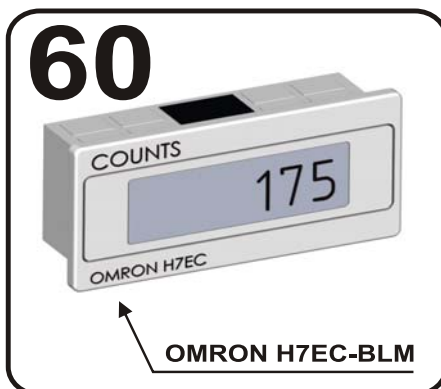
ADJUSTING PRESSURE FOR FRAGILE CONTAINERS

FOOT PEDAL

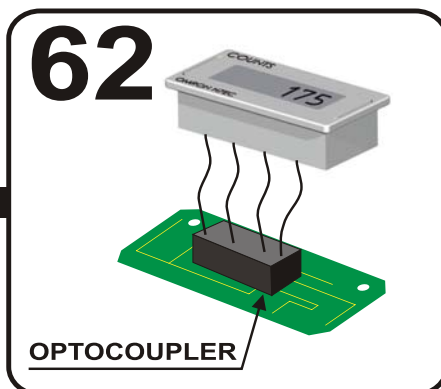


PRESS ONCE

COUNTER



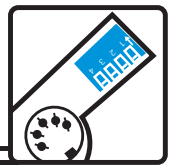
OMRON H7EC-BLM



OPTOCOUPLER

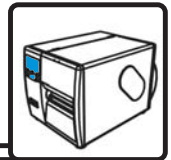


PROGRAMMING



<p>ON</p> <p>LIGHT</p>	<p>OFF</p> <p>DARK</p>	<p>ON</p> <p>LONG RUB-DOWN</p>	<p>OFF</p> <p>NORMAL</p> <p>SHORT RUB-DOWN</p>	<p>ON</p> <p>230mm + (9" +)</p>	<p>OFF</p> <p>NORMAL</p>
-------------------------------	-------------------------------	---------------------------------------	--	---	--

PRINTERS



ON
NORMAL

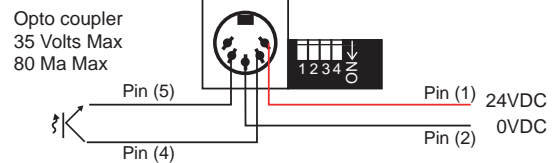
PRINT

PRINTING ONLY **ONCE** PER CONTAINER

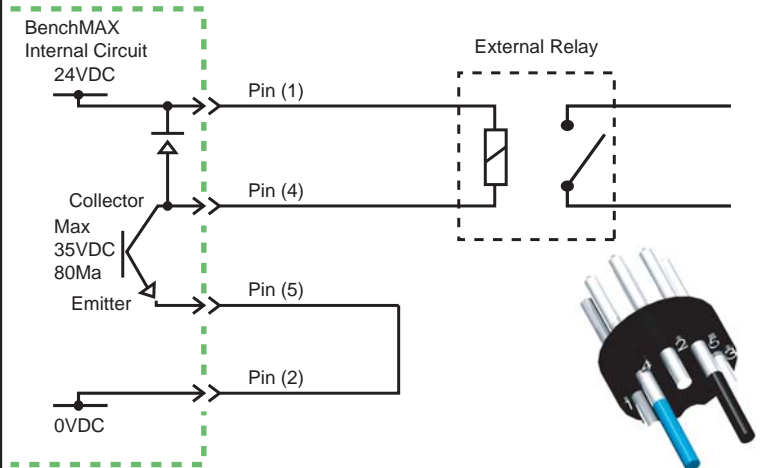
OFF

PRINTING ON **EVERY** LABEL

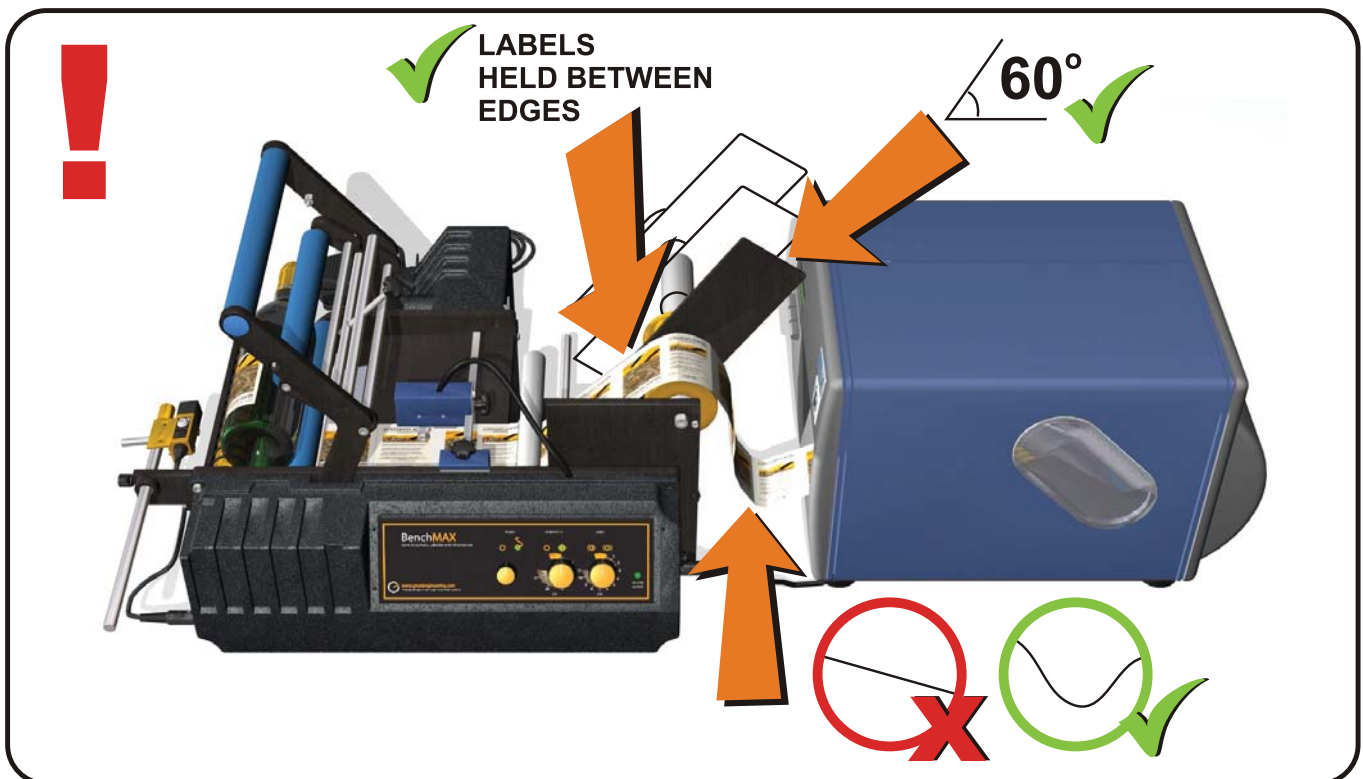
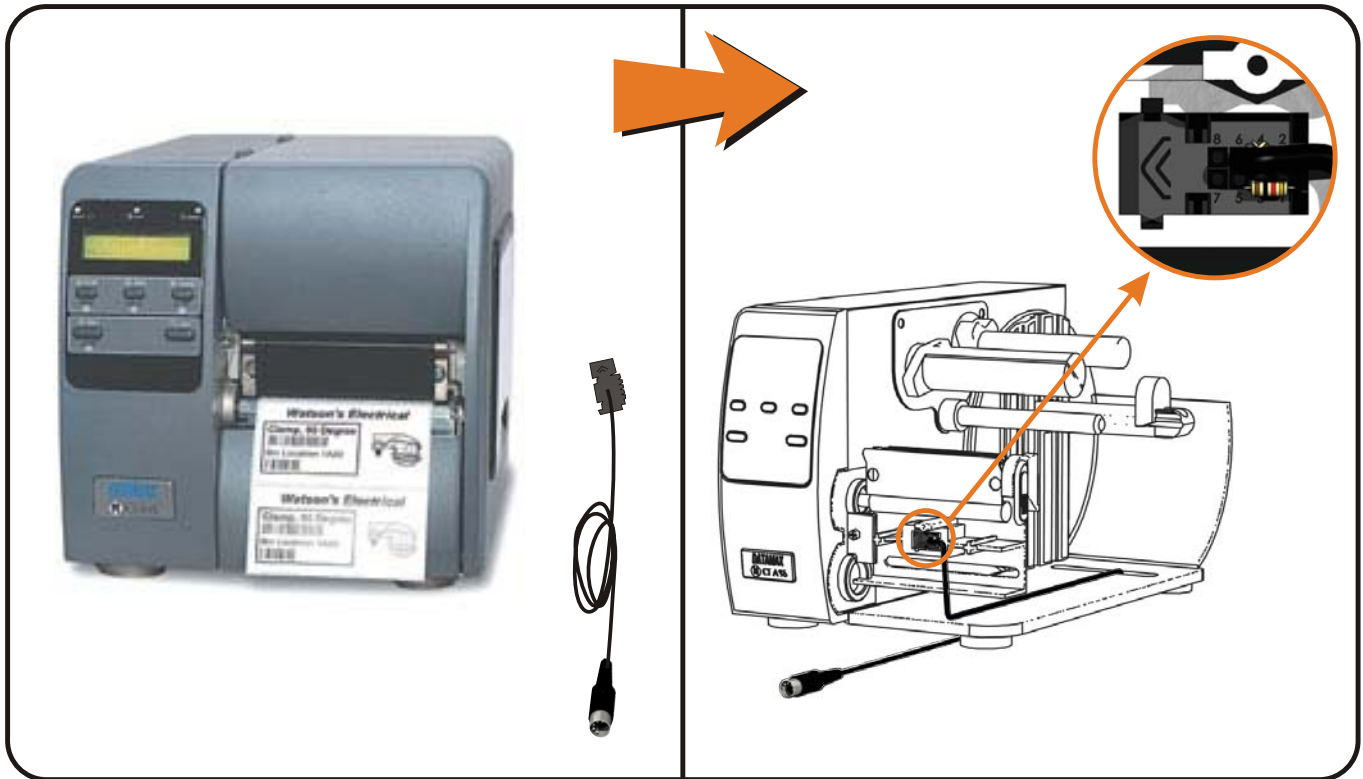
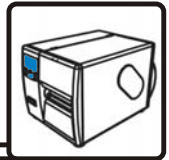
WIRING:

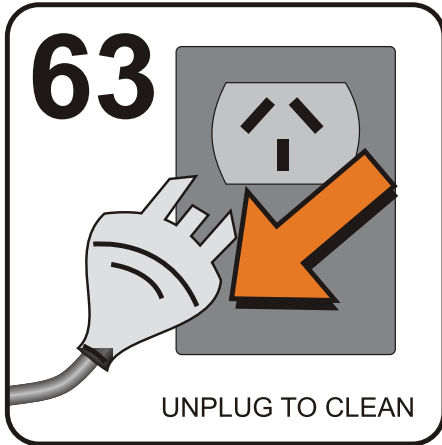


EXAMPLE.

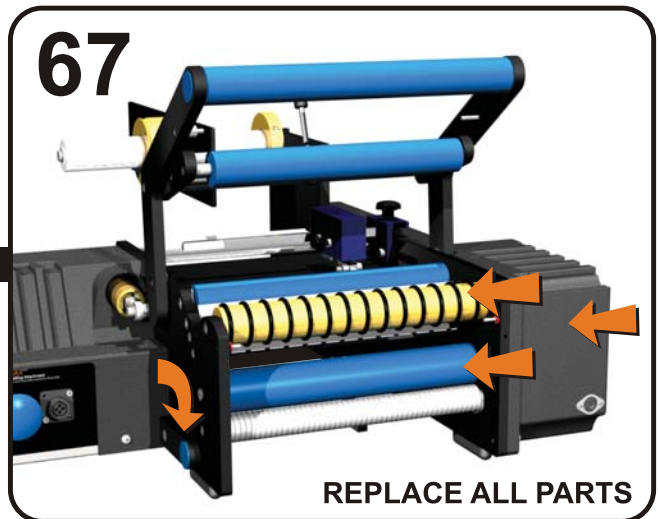
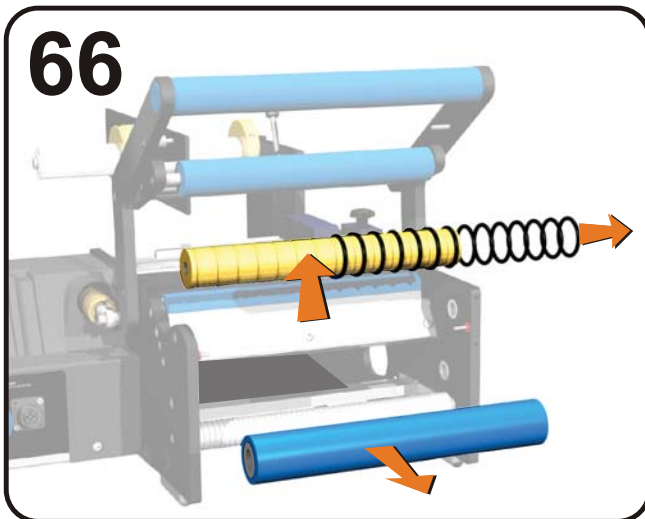
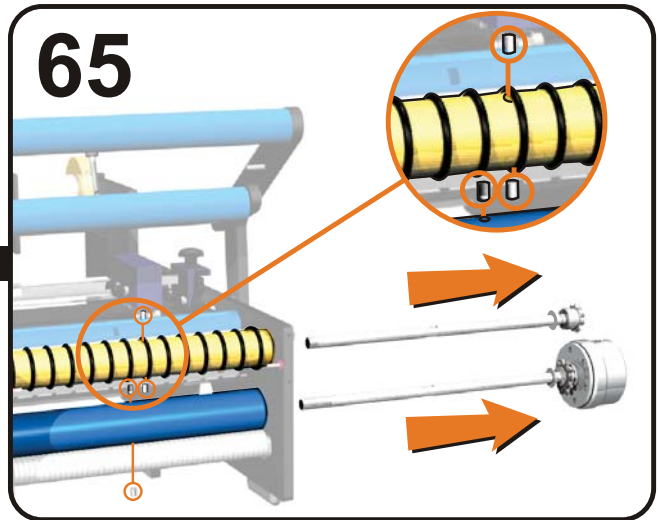


PRINTERS





REPLACING O-RINGS, CLUTCH MAINTENANCE & REPLACING BLUE ROLLER:





TROUBLE SHOOTING



GENERAL

!! PROBLEM !!	SOLUTION
 <p>NO LABEL</p>	 
 <p>NOT TURNING</p>	 <p>p8: 26</p> <p>READ INSTRUCTIONS CAREFULLY</p>
 <p>NOT STRAIGHT</p>	 <p>INCORRECT CONTAINER</p> <p>OR</p>  <p>p7: 19</p> <p>TIGHTEN TO ONE SIDE</p> <hr/> <p>OR</p>  <p>p9: 28</p> <p>CHECK IF LABEL IS STUCK UNDER ROLLER</p>  <hr/> <p>OR</p>  <p>1 2 3 4</p> <p>90° BASE VIEW</p> <p>CHECK IF LABEL IS STUCK UNDER CURVED PLATE</p>
	 <p>p7: 20</p> <p>READ INSTRUCTIONS CAREFULLY</p>



TROUBLE SHOOTING



GENERAL

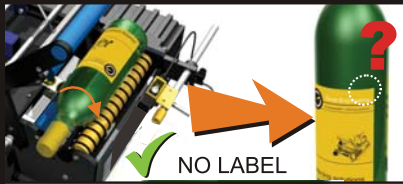








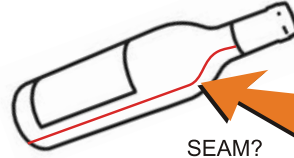



!! PROBLEM !!	SOLUTION			
	<p>NORMAL WHEN HANDLE RETURNS</p>			
	<p>p8: 26</p> <p>READ INSTRUCTIONS CAREFULLY</p>			
		<p>DO NOT HOLD PEDAL DOWN</p>		
<p>NOT REACHING GAP</p>	<p>1</p>	<p>2</p>	<p>3</p> <p>180°</p>	<p>4</p>
	<p>p8: 27</p> <p>READ INSTRUCTIONS CAREFULLY</p> <p>OR</p> <p>INCORRECT CONTAINER</p>			
<p>FOLD</p>	<p>p6: 16</p> <p>TRY THESE ADJUSTMENTS</p> <p>OR</p>			



TROUBLE SHOOTING



ORIENTATOR

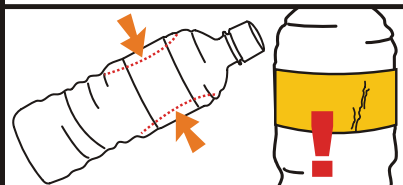

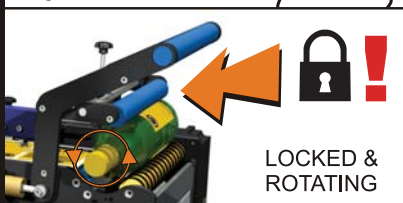

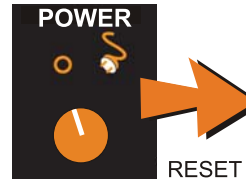
!!! PROBLEM !!!	SOLUTION
 <p>NO LABEL</p>	 p12: 46-48 OR  p11: 43 READ INSTRUCTIONS CAREFULLY
 <p>2 LABELS</p>	  
 <p>WRONG POSITION</p>	 p12: 46-47 DETECTING INCORRECT MARK  <p>SEAM?</p>
 <p>NO LABEL</p>	 p12: 48 OR  p10: 37 READ INSTRUCTIONS CAREFULLY



TROUBLE SHOOTING



AUTOMATIC ATTACHMENT

!!! PROBLEM !!!	SOLUTION
	 p13: 56 READ INSTRUCTIONS CAREFULLY
 <p>LOCKED & ROTATING</p>	 p8: 26 OR  <p>RESET</p>